

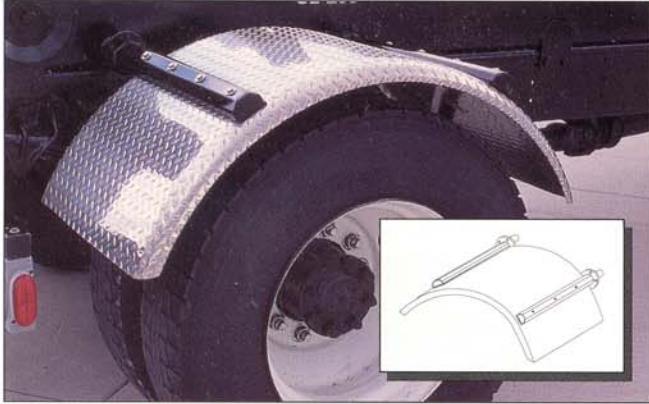


# SWAPLOADER®

"HOOKED ON QUALITY"

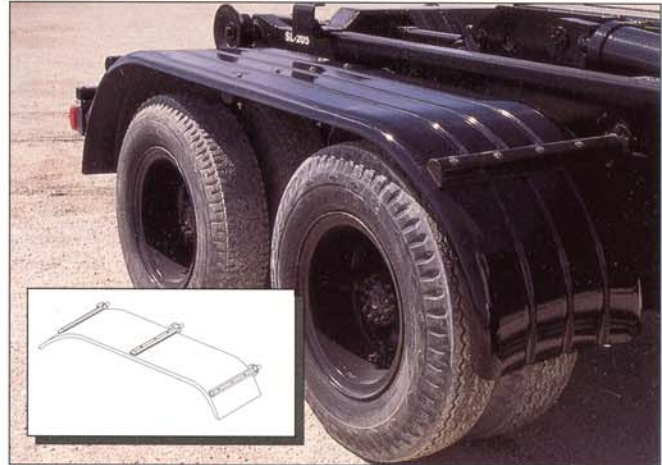
U.S.A. LTD.

## ACCESSORIES



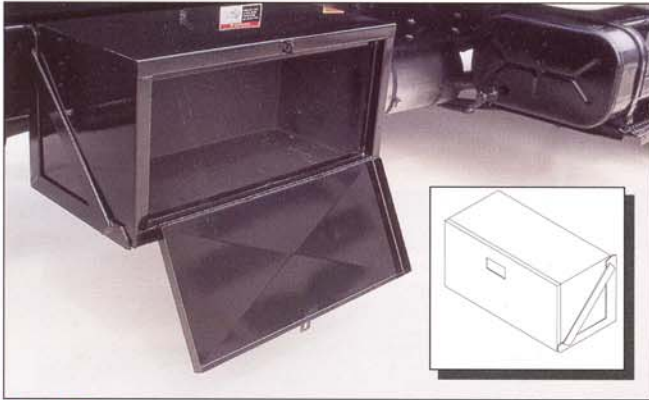
Full radius **Fender** for single axle. Fits 22.5" to 24.5" tires. Available in aluminum or steel (aluminum shown). Includes mounting brackets.

	ITEM #	WT.
Aluminum	10H93	87 lbs.
Steel	11H13	119 lbs.



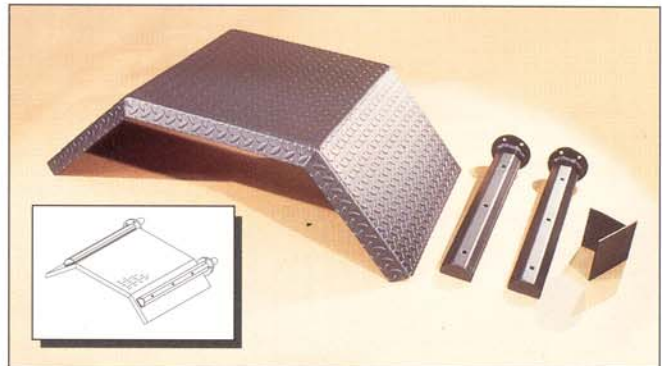
**Tandem Axle Fender**, steel, fits tire sizes 22.5" to 24.5". Includes mounting brackets.

ITEM #	WT.
11H14	150 lbs.



**Tool Box**, 18"D x 18"H x 36"L, with drop down door, latch and mounting brackets. Available in aluminum or steel (steel tool box shown).

	ITEM #	WT.
Aluminum	10H92	77 lbs.
Steel	11H12	99 lbs.



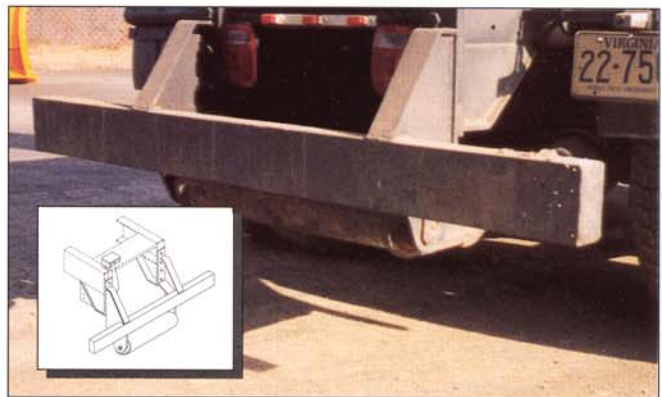
Single axle **Fender** with flat top, in diamond plate steel, with brackets, fits 16" to 19.5" tires.

ITEM #	WT.
11H52	116 lbs.



**Cab Guard**, of heavy duty steel, is recessed for jib, protects the back 18" of truck cab.

ITEM #	WT.
50H99	298 lbs.



Truck rear end **Stabilizer** for use with SL-405 and larger hoists. H.D. bumper incorporated into design. Shown in travel position (photo) and lift position (drawing).

ITEM #	WT.
40H50	640 lbs.

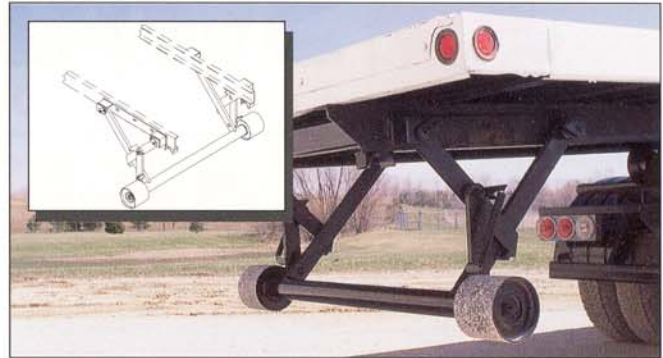


# SWAPLOADER ACCESSORIES



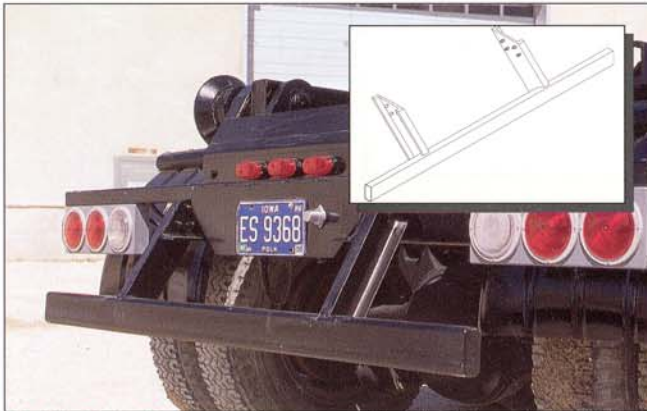
**Folding Bumper** provides rear end protection on extended length bodies or containers. To be used in conjunction with Roller Assembly and Brackets.

ITEM #	WT.
51H44	178 lbs.



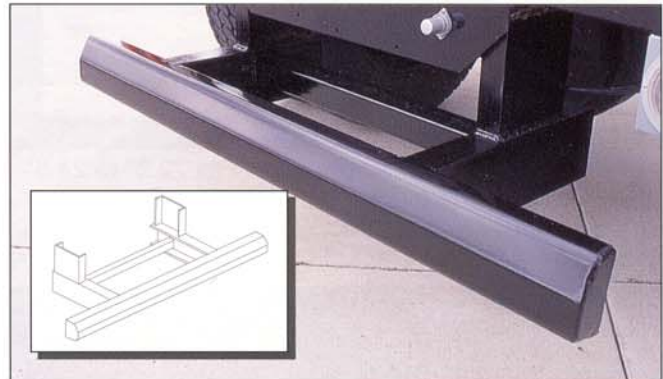
**Drop Down Bumper** (Patent Pending) provides rear end protection and folds to a set of rollers for easy handling of extended length bodies or containers.

ITEM #	WT.
51H11	215 lbs.



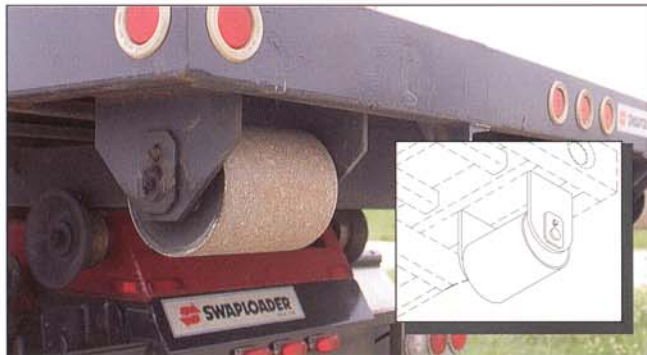
**Light Duty Bumper** for use with SL-95 and SL-125 model hoists.

ITEM #	WT.
50H61	71 lbs.



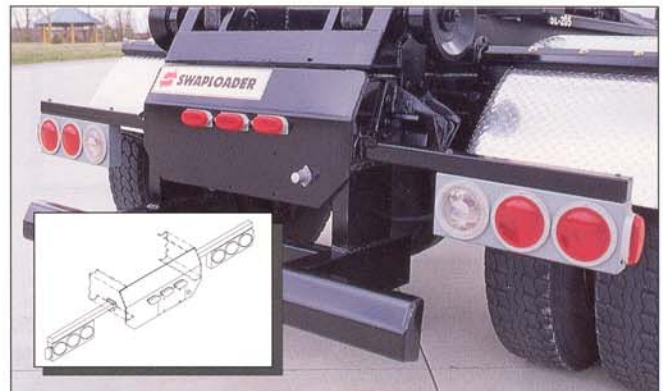
**Heavy Duty Bumper** available for SL-205 and larger model hoists.

ITEM #	WT.
51H31	161 lbs.



Container/truck body **Roller Assembly** for use with all sub-frame sizes. Roller mount Brackets also shown.

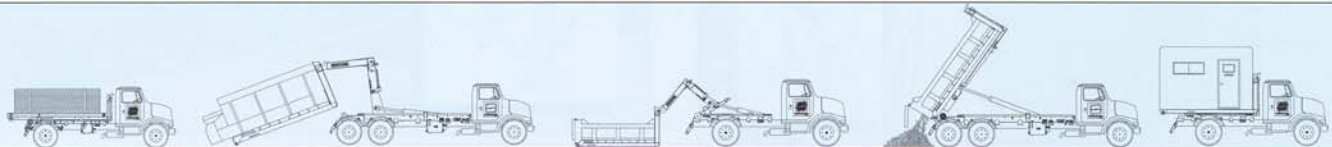
ITEM #	WT.
Roller Ass'y 10H90	80 lbs.
Brackets 10H91	46 lbs.



**Rear Light Bar** for use with all model hoists. Incl. tail, brake, backup, license plate, side and rear clearance lights, mount brackets.

ITEM #	WT.
51H29	65 lbs.

Sub-frames, Body Props, Lift Bars, Mudflaps and other accessories available from your SwapLoader dealer.



## SWAPLOADER®

1800 N. E. Broadway Ave., Box D, Des Moines, Iowa, U.S.A. 50316-0386 U.S.A. LTD.  
Ph/Fax (515)266-3042 Toll Free 888-767-8000 swapldr@netins.net